

TESCOM™ AGI "E" Series Bonnets

Certified to maintain VOC leakage
below 100 PPM at 1000°F maximum



Boost Compliance with Certified, Reliable, Low-Leakage Valves

- **Stay Compliant:** Meets EPA's 100ppm Volatile Organic Compounds (VOC) leakage requirements, minimizing regulatory risks.
- **Dependable Performance:** Guarantees low leakage for five years, reducing maintenance and downtime.
- **Seamless Integration:** Compatible with a wide range of valves and manifolds for easy system upgrades.
- **Fast Deployment:** Quick delivery to speed up compliance and minimize operational delays.
- **Support Sustainability:** Helps reduce VOC emissions, aligning with environmental protection goals.

Reduce Emissions and Ensure Compliance with Reliable, Low-Leakage Valves

The “E” series low-emissions bonnet option for Hand Valves, Gauge Valves, Manifolds, and Primary Isolation helps users comply with regulatory requirements and is a critical step toward controlling VOC emissions in measurement device installations.

Product Details

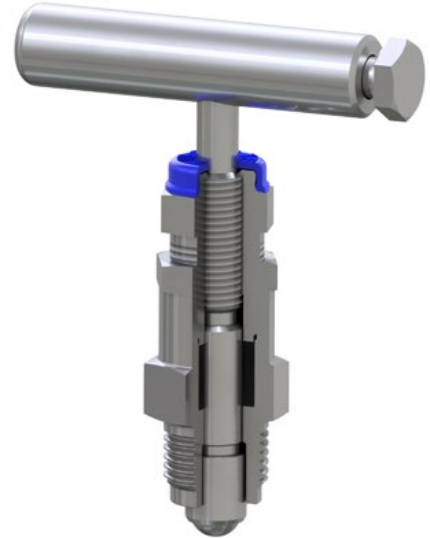
Warranty: All “E” Series valves are warranted by Emerson to meet this specification for up to 5 years and are supported by the manufacturer of the packing used in these valve products.

Packing: Fugitive Emission Standard compliance to ISO-15848-1 API-622, 2ND Edition.

All TESCOM™ AGI valve products are specifically designed to meet the requirements of MSS-SP-99 and are manufactured in an ISO-9001 certified facility.

Product Availability for the “E” Series Option

The “E” Series (graphite 3-piece wedge packing) option is available for all 3/16” orifice integral seated valves.



Pressure Regulators
& Valves



The Emerson logo is a trademark and service mark of Emerson Electric Co. Brand logotype are registered trademarks of one of the Emerson family of companies. All other marks are the property of their respective owners. © 2025 Emerson Electric Co. All rights reserved. FL000754ENUS-01_03-25

